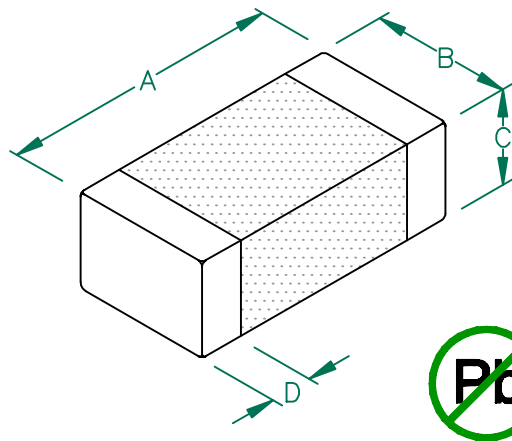


# MI1206K310R-10

**UNCONTROLLED DOCUMENT**

## PHYSICAL DIMENSIONS:

A	3.20 [.126]	+ 0.20 [.008]
B	1.60 [.063]	+ 0.20 [.008]
C	1.10 [.043]	+ 0.20 [.008]
D	0.51 [.020]	+ 0.25 [.010]

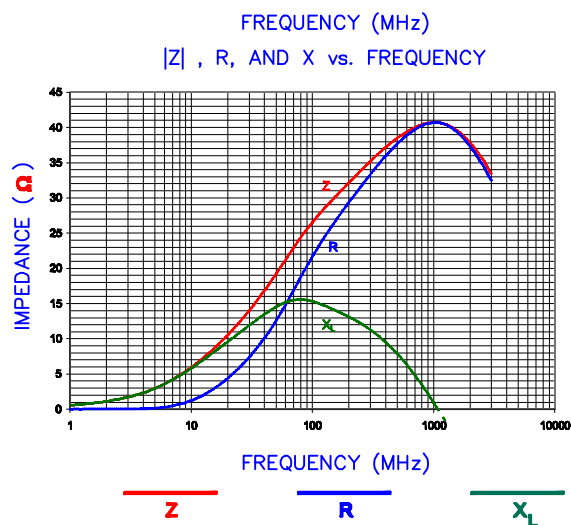
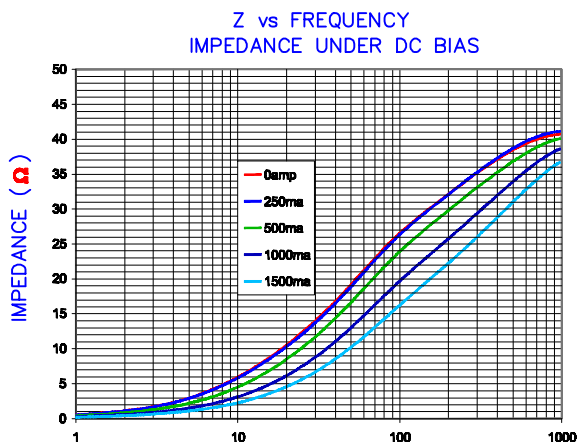


## ELECTRICAL CHARACTERISTICS:

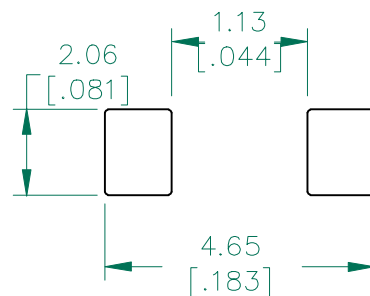
Z @ 100MHz (Ω)	DCR (Ω)	Rated Current
Nominal	31	
Minimum	23	
Maximum	39	1500 mA

NOTES: UNLESS OTHERWISE SPECIFIED

1. TAPED AND REELED per CURRENT EIA SPECIFICATIONS 7" REELS, 3000 PCS/REEL.
2. COMPONENTS SHOULD BE ADEQUATELY PREHEATED BEFORE SOLDERING.
3. TERMINATION FINISH IS 100% TIN.

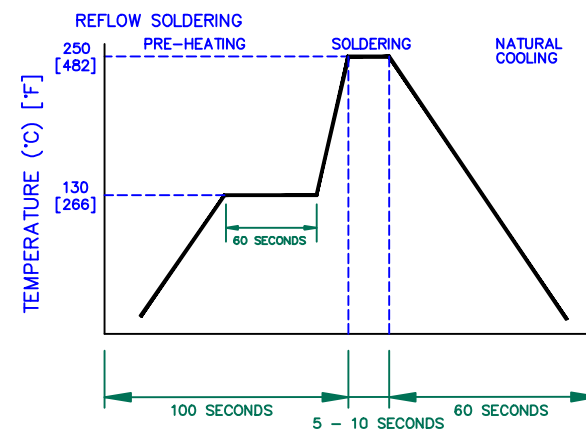


## LAND PATTERNS FOR REFLOW SOLDERING



(For wave soldering, add 0.762 (.030) to this dimension)

## RECOMMENDED SOLDERING CONDITIONS



DIMENSIONS ARE IN mm [INCHES]				This print is the property of Laird Tech. and is loaned in confidence subject to return upon request and with the understanding that no copies shall be made without the written consent of Laird Tech. All rights to design or invention are reserved.			
				<b>Laird TECHNOLOGIES</b>			
PROJECT/PART NUMBER:				REV	PART TYPE:	DRAWN BY:	
MI1206K310R-10				B	CO-FIRE	JRK	
B	UPDATE COMPANY LOGO ADD ROHS	8/22/08	JRK	DATE:	04/13/04	SCALE:	NTS
A	ORIGINAL DRAFT	04/13/04	JRK	CAD #		TOOL #	
REV	DESCRIPTION	DATE	INT	MI1206K310R-10-B			
						2 of 2	

